



GE INDUSTRIAL MOTORS
a WOLONG company

Ultra[®]Series

Irrigation-Duty Pump Motors

NEMA Premium Efficient

Weather-Protected (WPI) Vertical Hollow Shaft

213-449 Frame, 5-600 HP

230/460, 460, 575V



+1 (888) 525-2915
www.gemotorswolong.com

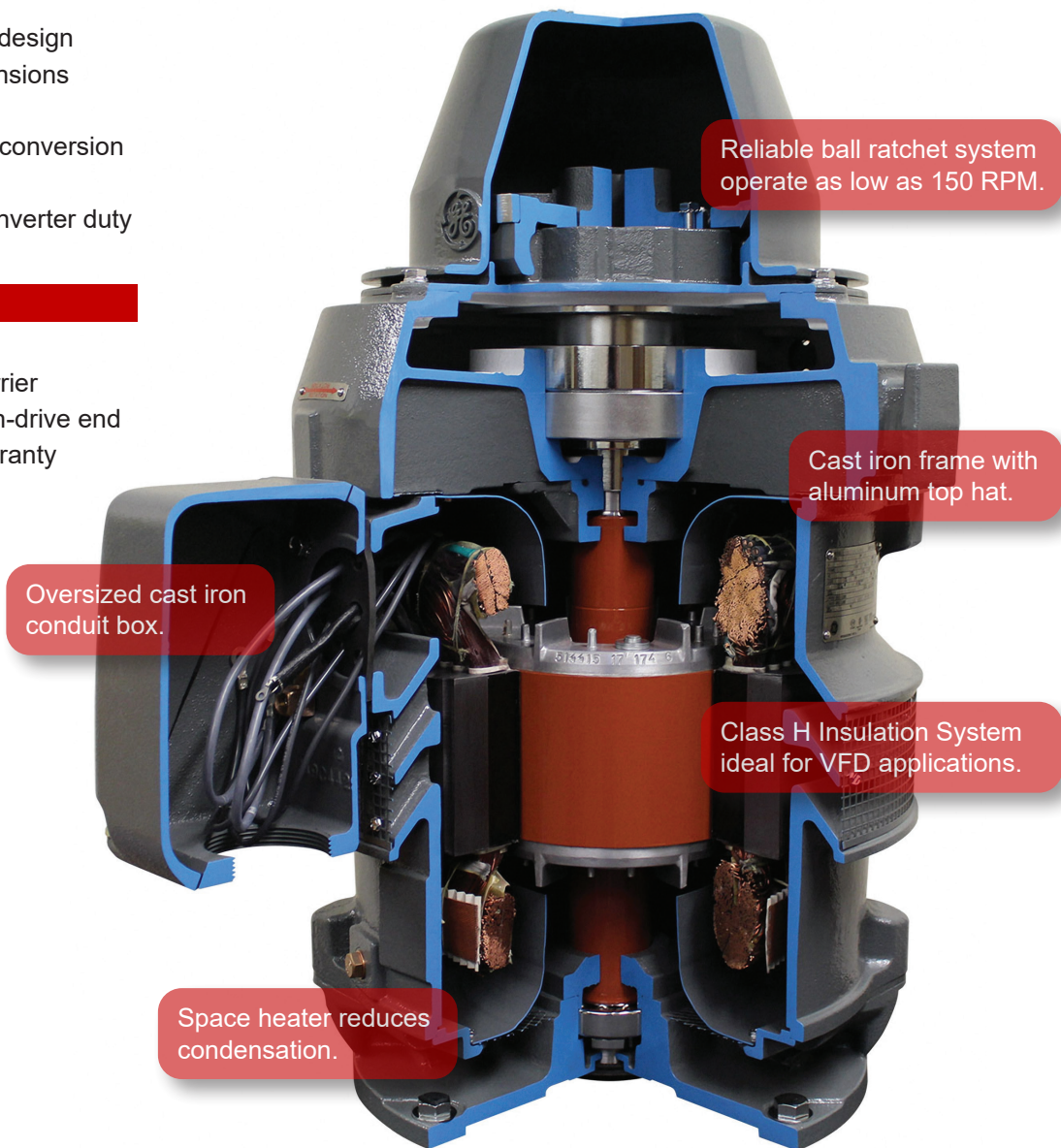
Full Featured Pump Motors

Features & Benefits

- NEMA Premium Efficient
- Standardized and modular design
- Industry standard CD dimensions
- Innovative cooling design
- NRR to SRC coupling field conversion kits available
- 3-Year Warranty including inverter duty

Additional Plus Features

- Winding thermostats
- Insulated thrust bearing carrier
- Shaft grounding ring on non-drive end
- Aegis™ SGR extended warranty

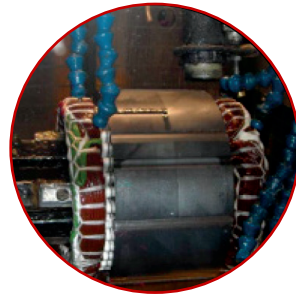


Product Name	WPI Ultra	WPI Ultra*
Enclosure/Shaft Type	WPI hollow shaft	WPI hollow shaft
Speed	1200, 1800, 3600	1800
Voltage (60Hz*)	230/460, 460 PWS	230/460, 460 PWS, 575
Base/Face	P-Base	P-Base
Thrust	100 or 175% High	100, 175, 300% Extra High
HP Range (Standard)	5 - 400	40-600
HP Range (Custom)	5 - 1000	40-1000

Durable and Reliable Technology

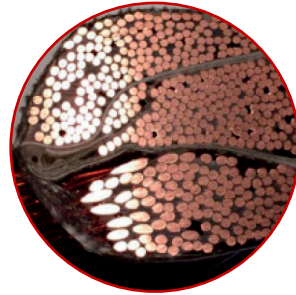
GEGARD™ Insulation offers added protection in severe applications.

Our Class H GEGARD insulation system is designed to excel in variable frequency drive applications where lesser designs often short circuit and cause overcurrent trips.



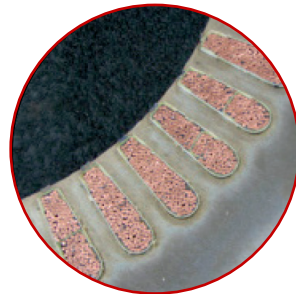
Rotational Varnish Application

Motor coils are rotationally varnished with a “Trickle Treat” process while an electric current is passed through the windings to ensure a penetrating, thorough and even coating. This proven process fills air gaps that could cause corona inception damage during operation.



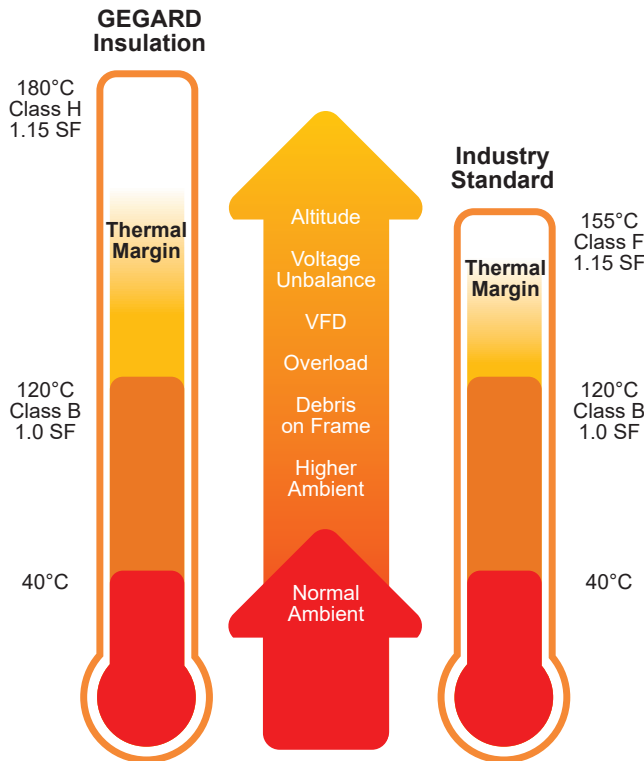
Wire Bonding

Resin penetrates deep into tightly packed coil wire creating a strong bond that guards against end-turn vibration.



Moisture Protection

Contaminants can't penetrate carefully and tightly packed stator coils bonded by deep resin penetration into the slots.



Larger Thermal Margin = Longer Motor Life

Guarding Against Corrosion

Pump motors may sit dormant for many weeks and may be subject to temperature and barometric changes, especially with outdoor applications. This environment causes condensation to collect on metal surfaces promoting corrosion and leading to unexpected failures. Standard space heaters are wrapped around the winding coils. They work like an electric blanket transferring a small electric current into heat to keep the motor warm, dry and ready to start when operators need them most.



Standard Ratings

Features

WPI Ultra Vertical Hollow Shaft

Volts: 230/460, 460 PWS

HP: 5-400

- NEMA Premium Efficient
- GEGARD 2400 Inverter-Duty Insulation
- Class H Insulation System
- Space Heater
- 3 Year Warranty including inverter duty

HP	RPM	Volts	Frame	FLA	Thrust Down	Nom. Eff.	Cat. No.	Motor List Price	Coupling List Price*	Price Symbol	Wt. (lbs.)	CD Dim. (in)	Notes
5	3600	230/460	L213TP10	12.2/6.1	1,900	86.5	V4201	\$1,923	\$240	G67VHS	172	20.25	111
5	1800	230/460	L213TP10	13/6.5	2,071	91	V4401	\$1,974	\$240	G67VHS	172	20.25	111
7.5	3600	230/460	L213TP10	18.2/9.1	1,900	88.5	V4202	\$2,071	\$240	G67VHS	172	20.25	111
7.5	1800	230/460	L213TP10	19.2/9.6	2,071	91	V4402	\$2,037	\$240	G67VHS	172	20.25	111
10	3600	230/460	L213TP10	23.4/11.7	1,900	89.5	V4203	\$2,238	\$240	G67VHS	206	20.25	111
10	1800	230/460	L215TP10	24.4/12.2	2,071	91.7	V4403	\$2,184	\$240	G67VHS	206	20.25	111
10	1200	230/460	L256TP12	25/12.5	3,379	91.7	V4600	\$2,930	\$300	G67VHS	315	23.38	111
15	3600	230/460	L215TP10	34.4/17.2	1,850	90.2	V4204	\$2,391	\$240	G67VHS	206	20.25	111
15	1800	230/460	L254TP10	36/18	2,575	93	V4404	\$2,412	\$300	G67VHS	280	23.38	111
15	1800	230/460	L254TP16	36/18	2,575	93	V4405	\$2,412	\$300	G67VHS	280	23.38	111
15	1200	230/460	L284TP12	39.6/19.8	3,379	91.7	V4601	\$3,211	\$300	G67VHS	420	24.75	111
20	3600	230/460	L254TP10	46/23	2,600	91	V4205	\$2,577	\$300	G67VHS	280	23.38	111
20	1800	230/460	L256TP12	47.6/23.8	2,575	93	V4406	\$2,760	\$300	G67VHS	315	23.38	111
20	1800	230/460	L256TP16	47.6/23.8	2,575	93	V4407	\$2,760	\$300	G67VHS	315	23.38	111
20	1200	230/460	L286TP12	51.6/25.8	3,379	92.4	V4602	\$4,000	\$300	G67VHS	470	24.75	111
25	3600	230/460	L256TP12	56.4/28.2	2,600	91.7	V4206	\$2,955	\$300	G67VHS	315	23.38	111
25	1800	230/460	L284TP12	58.8/29.4	2,960	93.6	V4408	\$3,149	\$300	G67VHS	420	24.75	111
25	1800	230/460	L284TP16	58.8/29.4	2,960	93.6	V4409	\$3,149	\$300	G67VHS	420	24.75	111
25	1200	230/460	L324TP16	64.2/32.1	6,700	93	V4603	\$4,515	\$360	G67VHS	790	28.22	111
30	3600	230/460	L284TP12	68.4/34.2	2,600	91.7	V4207	\$3,022	\$300	G67VHS	420	24.75	111
30	1800	230/460	L286TP12	70.6/35.3	2,960	94.1	V4410	\$3,452	\$300	G67VHS	470	24.75	111
30	1800	230/460	L286TP16	70.6/35.3	2,960	94.1	V4411	\$3,452	\$300	G67VHS	470	24.75	111
30	1200	230/460	L326TP16	74.6/37.3	6,700	93.6	V4604	\$5,139	\$360	G67VHS	870	28.22	111
40	3600	230/460	L286TP12	88.6/44.3	2,500	92.4	V4208	\$3,835	\$300	G67VHS	470	24.75	111
40	1800	230/460	L324TP12	100.8/50.4	6,324	94.1	V4412	\$3,950	\$360	G67VHS	780	28.22	111
40	1800	230/460	L324TP16	100.8/50.4	6,324	94.1	V4413	\$3,950	\$360	G67VHS	800	28.22	111
40	1800	460 PWS	L324TP16	50.4	6,324	94.1	V4414	\$3,950	\$360	G67VHS	800	28.22	110
40	1200	230/460	L364TP16	98.8/49.4	6,700	94.1	V4605	\$6,320	\$360	G67VHS	960	31.16	111
50	3600	230/460	L324TP12	118.4/59.2	6,300	93	V4209	\$4,942	\$360	G67VHS	762	28.22	111
50	3600	230/460	L324TP16	118.4/59.2	6,300	93	V4210	\$4,942	\$360	G67VHS	780	28.22	111
50	1800	230/460	L326TP16	122.2/61.1	6,324	94.5	V4415	\$4,720	\$360	G67VHS	875	28.22	111
50	1800	460 PWS	L326TP16	61.1	6,324	94.5	V4416	\$4,720	\$360	G67VHS	875	28.22	110
50	1200	230/460	L365TP16	123.6/61.8	6,700	94.1	V4606	\$7,540	\$360	G67VHS	980	31.16	111
60	3600	460 PWS	L326TP16	70.2	6,300	93.6	V4211	\$5,691	\$360	G67VHS	790	28.22	110
60	1800	230/460	L364TP16	146.0/73.0	6,244	95	V4417	\$5,472	\$360	G67VHS	980	31.16	111
60	1800	460 PWS	L364TP16	73.0	6,244	95	V4418	\$5,472	\$360	G67VHS	980	31.16	110
60	1200	460 PWS	L404TP16	74.3	7,800	94.5	V4607	\$8,596	\$400	G67VHS	1320	36.94	110
75	3600	460 PWS	L364TP16	96.1	6,500	93.6	V4212	\$7,038	\$360	G67VHS	1110	31.16	110
75	1800	230/460	L365TP16	182.4/91.2	6,244	95	V4419	\$6,672	\$360	G67VHS	1020	31.16	111
75	1800	460 PWS	L365TP16	91.2	6,244	95	V4420	\$6,672	\$360	G67VHS	1020	31.16	110
75	1200	460 PWS	L405TP16	92.9	7,800	94.5	V4608	\$10,178	\$400	G67VHS	1350	36.94	110
100	1800	460 PWS	L404TP16	120.0	7,539	95.4	V4421	\$8,672	\$400	G67VHS	1460	36.94	110
100	1800	230/460	L404TP16	240.0/120.0	14,609	95.4	V4422	\$8,977	\$400	G67VHS	1460	36.94	111
100	1800	460 PWS	L404TP16	120.0	14,609	95.4	V4423	\$8,977	\$400	G67VHS	1460	36.94	110
100	1200	460 PWS	L444TP16	121.0	16,000	95	V4609	\$13,522	\$600	G67VHS	2490	44.78	110
125	1800	460 PWS	L405TP16	150.0	7,539	95.4	V4424	\$10,700	\$400	G67VHS	1524	36.94	110
125	1800	460 PWS	L405TP16	150.0	14,609	95.4	V4425	\$11,086	\$400	G67VHS	1524	36.94	110
150	1800	460 PWS	L444TP16	178.0	14,462	95.8	V4426	\$13,563	\$600	G67VHS	2370	44.78	110
200	1800	460 PWS	L444TP16	230.0	22,551	95.8	V4427	\$17,792	\$600	G67VHS	2500	44.78	110
200	1800	460 PWS	L444TP20	230.0	22,551	95.8	V4428	\$17,792	\$600	G67VHS	2490	44.78	110
250	1800	460 PWS	L445TP20	293.0	22,551	95.8	V4429	\$22,351	\$600	G67VHS	2810	44.78	110
300	1800	460 PWS	L447TP20	337.0	22,277	95.8	V4430	\$25,755	\$600	G67VHS	3200	49.78	110
350	1800	460 PWS	L447TP20	386.0	22,277	95.8	V4431	\$28,675	\$600	G67VHS	3450	49.78	110
400	1800	460 PWS	L449TP20	439.0	20,800	95.8	V4432	\$31,867	\$600	G67VHS	3600	49.78	110
400	1800	460 PWS	L449TP20	439.0	30,000	95.8	V4433	\$34,250	\$600	G67VHS	3650	49.78	110, 156



Standard Ratings

WPI Ultra Plus Vertical Hollow Shaft

Volts: 230/460, 460 PWS, 575

HP: 40-600

HP	RPM	Volts	Frame	FLA @460	Thrust Down	Nom. Eff.	Cat. No.	Motor List Price	Coupling List Price*	Price Symbol	Wt. (lbs.)	CD Dim. (in)	Notes
40	1800	230/460	L324TP16	100.8/50.4	6,324	94.1	V4513	\$4,294	\$360	G67VHS	800	28.22	111, 113
40	1800	575	L324TP16	41.1	5,700	94.1	V4550	\$4,294	\$360	G67VHS	800	28.22	113
50	1800	230/460	L326TP16	122.2/61.1	6,324	94.5	V4515	\$5,126	\$360	G67VHS	875	28.22	111, 113
50	1800	575	L326TP16	48.9	5,700	94.5	V4551	\$5,126	\$360	G67VHS	875	28.22	113
60	1800	460 PWS	L364TP16	73.0	6,244	95	V4518	\$5,939	\$360	G67VHS	980	31.16	110, 113
60	1800	575	L364TP16	59.5	5,700	95	V4552	\$5,939	\$360	G67VHS	980	31.16	113
75	1800	460 PWS	L365TP16	91.2	6,244	95	V4520	\$7,234	\$360	G67VHS	1,020	31.16	110, 113
75	1800	575	L365TP16	73.0	5,700	95	V4553	\$7,234	\$360	G67VHS	1,020	31.16	113
100	1800	460 PWS	L404TP16	120.0	14,609	95.4	V4521	\$9,398	\$400	G67VHS	1,460	36.94	110, 113
100	1800	575	L404TP16	95.7	6,700	95.4	V4554	\$9,398	\$400	G67VHS	1,460	36.94	113
125	1800	460 PWS	L405TP16	150.0	14,609	95.4	V4524	\$11,588	\$400	G67VHS	1,524	36.94	111, 112, 114
125	1800	575	L405TP16	120.0	6,700	95.4	V4555	\$11,588	\$400	G67VHS	1,524	36.94	112, 114
150	1800	460 PWS	L444TP16	178.0	14,462	95.4	V4526	\$14,696	\$600	G67VHS	2,370	44.78	111, 112, 114
150	1800	575	L444TP16	142.0	13,500	95.4	V4556	\$14,696	\$600	G67VHS	2,450	44.78	112, 114
200	1800	460 PWS	L444TP20	230.0	22,551	95.8	V4528	\$19,263	\$600	G67VHS	2,500	44.78	111, 112, 114
200	1800	575	L444TP20	184.0	13,500	95.8	V4557	\$19,263	\$600	G67VHS	2,500	44.78	112, 114
250	1800	460 PWS	L445TP20	293.0	22,551	95.8	V4529	\$24,188	\$600	G67VHS	2,950	44.78	111, 112, 114
250	1800	575	L445TP20	233.0	21,100	95.8	V4558	\$24,188	\$600	G67VHS	2,950	44.78	112, 114
300	1800	460 PWS	L447TP20	337.0	22,277	95.8	V4530	\$27,864	\$600	G67VHS	3,200	49.78	111, 112, 114
300	1800	575	L447TP20	271.0	20,800	95.8	V4559	\$27,864	\$600	G67VHS	3,200	49.78	112, 114
350	1800	460 PWS	L447TP20	386.0	22,277	95.8	V4531	\$31,017	\$600	G67VHS	3,450	49.78	111, 112, 114
400	1800	460 PWS	L449TP20	439.0	20,800	95.8	V4532	\$34,465	\$600	G67VHS	3,600	49.78	111, 112, 114
400	1800	460 PWS	L449TP20	439.0	30,000	95.8	V4533	\$37,038	\$600	G67VHS	3,600	49.78	110, 112, 114, 156
450	1800	460 PWS	L449TP20	503.0	30,000	96.2	V4534	\$38,870	\$600	G67VHS	3,630	49.78	110, 112, 114, 156
500	1800	460 PWS	L509TP24	549.0	14,807	96.2	V852	add \$900	incl 2 3/16	G67VHS	3,570	58.2	110, 112, 114, 157
500	1800	460 PWS	L509TP24	553.0	45,304	96.2	V952	add \$900	incl 2 3/16	G67VHS 3	,620	59.9	110, 112, 114, 156, 157
600	1800	460 PWS	L511TP24	646.0	44,796	95.4	V953	add \$900	incl 2 3/16	G67VHS	4,380	67.9	110, 112, 114, 156, 157

† Self Release Coupling can be ordered by putting an "S" on end of PN or Cat. No.

* Motor coupling is required and priced separately in the catalog.

Notes:

- 110 Usable on 380 volts, 50 Hz at 1.0 Service Factor and derated to next lower HP
- 111 Usable on 190/380 volts, 50 Hz at 1.0 Service Factor and derated to next lower HP
- 112 Includes NC Winding Thermostats (125HP and greater)
- 113 Aegis Shaft Grounding ring on bearing cap (40-100HP)
- 114 Insulated Upper Bearing Carrier and Aegis Shaft Grounding ring on bearing cap (125HP and greater)
- 156 With Spherical Roller Bearing
- 157 Includes Self Release Coupling (SRC) with 2 3/16" BX

Features

- NEMA Premium Efficient
- GEGARD 2400 Inverter-Duty Insulation
- Class H Insulation System
- Space Heater
- 3-Year Warranty including inverter duty
- Winding thermostats
- Insulated thrust bearing carrier
- Shaft grounding ring on NDE
- Aegis™ SGR extended warranty

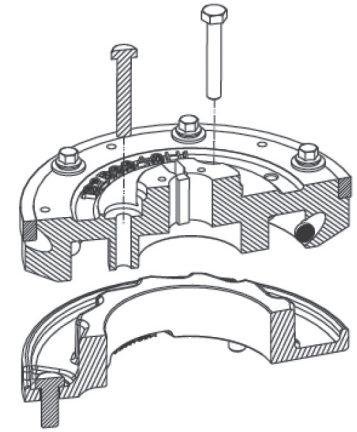


Accessories

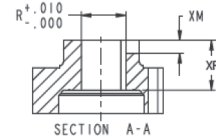
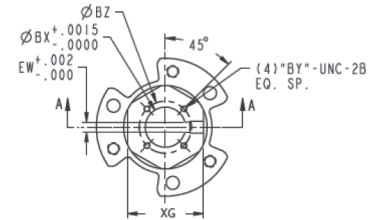
WPI Ultra Vertical Hollow Shaft

Ball Style NRR and SRC Upper Half Couplings

Frame Size	Cat. No.	List Price	Price Symbol	Dimensions in Inches							
				BX	Depth	EW	XG	BY	BZ	XM	XR
213/215	Y8620	\$240	G6-7KITS	1.002	0.125	0.250	2.435	# 10-32	1.375	0.438	1.185
	Y8628	\$240	G6-7KITS	0.751	0.094	0.188					
254/256 284/286	Y8627	\$300	G6-7KITS	0.751	0.125	0.250	2.435	# 10-32	1.375	0.438	1.215
	Y8626	\$300	G6-7KITS	0.876							
	Y8625	\$300	G6-7KITS	0.938							
	Y8621	\$300	G6-7KITS	1.001							
	Y8622	\$300	G6-7KITS	1.189							
	Y8623	\$300	G6-7KITS	1.252							
324/326	Y8730	\$360	G6-7KITS	1.001	0.118	0.250	3.243	1/4-20 UNC	1.750	0.438	1.913
	Y8731	\$360	G6-7KITS	1.188							
	Y8732	\$360	G6-7KITS	1.251							
	Y8733	\$360	G6-7KITS	2.251							
	Y8734	\$360	G6-7KITS	1.438							
	Y8735	\$360	G6-7KITS	1.501							
	Y8730	\$360	G6-7KITS	1.001	0.118						
	Y8731	\$360	G6-7KITS	1.188	0.133						
364/365	Y8732	\$360	G6-7KITS	1.251	0.169	0.375	3.243	1/4-20 UNC	1.750	0.438	1.913
	Y8733	\$360	G6-7KITS	2.251							
	Y8734	\$360	G6-7KITS	1.438							
	Y8735	\$360	G6-7KITS	1.501							
	Y8736	\$360	G6-7KITS	1.688							
	Y8736	\$360	G6-7KITS	1.688							
404/405	Y8741	\$400	G6-7KITS	1.188	0.121	0.250	3.250	1/4-20 UNC	1.750	0.562	2.413
	Y8742	\$400	G6-7KITS	1.251							
	Y8743	\$400	G6-7KITS	1.251	0.168						
	Y8744	\$400	G6-7KITS	1.438	0.172						
	Y8745	\$400	G6-7KITS	1.501	0.375						
	Y8746	\$400	G6-7KITS	1.688							
	Y8747	\$400	G6-7KITS	1.751	0.176						
	Y8655	\$600	G6-7KITS	1.501	0.180						
447/449 and 444/445	Y8656	\$600	G6-7KITS	1.688	0.230	0.500	4.750	1/4-20 UNC	2.500	0.812	3.112
	Y8658	\$600	G6-7KITS	1.813							
	Y8659	\$600	G6-7KITS	1.938							
	Y8662	\$600	G6-7KITS	2.126							
	Y8651	\$600	G6-7KITS	2.188							
	Y8665	\$600	G6-7KITS	2.376							
509/511 (Includes NRR Pin Carrier)	Y8445	\$1,650	G6-7KITS	1.938	0.230	0.500	5.620	3/8-16 UN	2.500	0.688	5.250
	Y8450	\$1,650	G6-7KITS	2.188	0.235						



213 - 286 Frame NRR Ratchet and Coupling



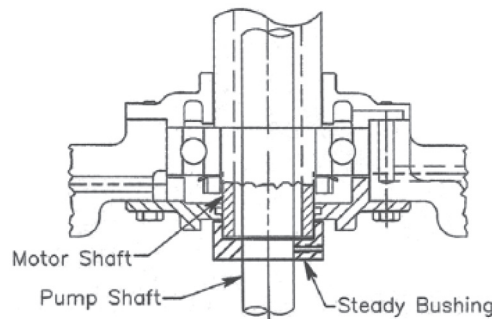
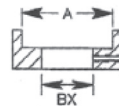
324 - 5011 Frame Coupling

210-280 Frame - Includes integral NRR Ball Carrier with Upper Half Coupling
320-449 Frame - Ball carrier shipped assembled to motor

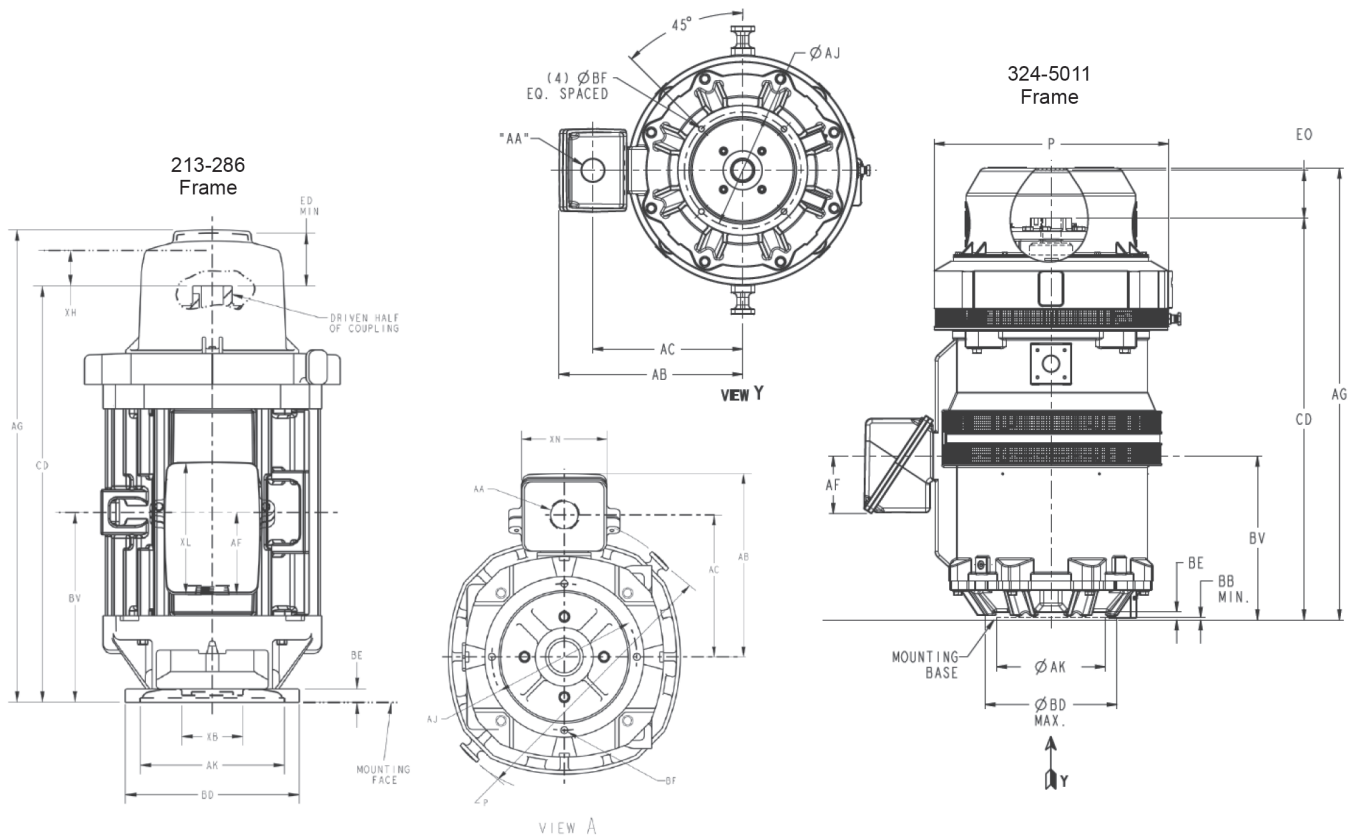
Ultra Series Vertical Hollow Shaft

Stabilizer Bushings

Frame Size	Cat. No.	List Price	Price Symbol	Dim. in Inches	
				BX	A
210	Y8414	\$120	G6-7KITS	1.001	1.573
	Y8415	\$120	G6-7KITS	1.001	
250	Y8416	\$120	G6-7KITS	1.188	1.767
	Y8417	\$120	G6-7KITS	1.251	
280	Y8418	\$120	G6-7KITS	1.001	1.964
	Y8419	\$120	G6-7KITS	1.188	
	Y8420	\$120	G6-7KITS	1.251	
320/360	Y8470	\$140	G6-7KITS	1.001	2.266
	Y8421	\$140	G6-7KITS	1.188	
	Y8422	\$140	G6-7KITS	1.250	
	Y8423	\$140	G6-7KITS	1.438	
	Y8424	\$140	G6-7KITS	1.501	
400	Y8471	\$180	G6-7KITS	1.189	2.783
	Y8472	\$180	G6-7KITS	1.250	
	Y8426	\$180	G6-7KITS	1.501	
	Y8473	\$180	G6-7KITS	1.688	
440	Y8474	\$260	G6-7KITS	1.501	3.000
	Y8475	\$260	G6-7KITS	1.688	
	Y8476	\$260	G6-7KITS	1.938	
	Y8477	\$260	G6-7KITS	2.188	



Dimensions



213-286 Frames

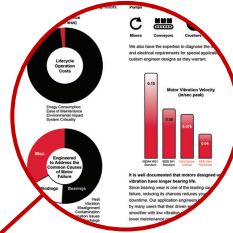
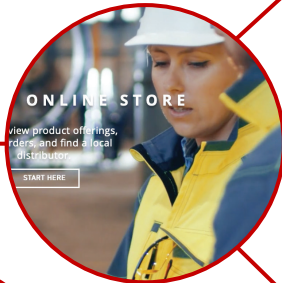
Frame	Dimensions in Inches												Conduit Box Dimensions					
	BD	P	AG	CD	AJ	AK	BE	BF	XB	BV	ED Min	XH	AA	AB	AC	AF	XL	XN
	L213TP10/L215TP10	10.00	14.78	22.44	18.88	9.25	8.25	0.77	0.44	3.50	8.59	2.75	2.00	1 - NPT	9.41	7.30	3.50	5.79
L254TP10/L256TP10	10.00	17.20	26.72	23.38	9.25	8.25	0.77	0.44	3.50	10.75	2.75	2.00	1-1/4" - NPT	11.40	8.84	4.59	7.38	5.38
L254TP12/L256TP12	10.00	17.20	26.72	23.38	9.25	8.25	0.77	0.44	3.50	10.75	2.75	2.00	1-1/4" - NPT	11.40	8.84	4.59	7.38	5.38
L254TP16/L256TP16	10.00	17.20	26.72	23.38	14.75	13.50	0.77	0.44	3.50	10.75	2.75	2.00	1-1/4" - NPT	11.40	8.84	4.59	7.38	5.38
L284TP12/L286TP12	16.50	19.28	29.57	25.68	9.25	8.25	0.77	0.44	5.50	12.00	4.00	2.50	1-1/2" - NPT	12.79	9.76	4.59	7.38	5.38
L284TP16/L286TP16	16.50	19.28	29.57	25.68	14.75	13.50	0.77	0.44	5.50	12.00	4.00	2.50	1-1/2" - NPT	12.79	9.76	4.59	7.38	5.38

324-5011 Frames

Frame	Dimensions in Inches												Conduit Box Dimensions					
	BD	P	AG	CD	AJ	AK	BE	BF	XB	BV	ED Min	AA	AB	AC	AF	XL	XN	
	L324TP12/LP326TP12	12.00	19.50	32.58	28.22	9.13	8.25	0.88	0.44	0.25	15.79	4.00	3-8 - NPT	16.77	13.07	6.44	10.15	7.00
L324TP16/LP326TP16	16.50	19.50	32.58	28.22	14.75	13.50	0.88	0.44	0.25	15.79	4.00	3-8 - NPT	16.77	13.07	6.44	10.15	7.00	
L364TP12/LP365TP12	12.00	21.70	35.47	31.16	9.13	8.25	0.88	0.44	0.25	17.53	4.00	3-8 - NPT	17.77	14.07	6.44	10.15	7.00	
L364TP16/LP365TP16	16.50	21.70	35.47	31.16	14.75	13.50	0.88	0.44	0.25	17.53	4.00	3-8 - NPT	17.77	14.07	6.44	10.15	7.00	
L404TP16/LP405TP16	16.50	24.50	41.97	36.94	14.75	13.50	1.06	0.69	0.30	20.93	4.70	3-8 - NPT	21.20	16.94	7.00	12.02	10.50	
L444TP16/LP445TP16	16.50	29.00	51.00	44.78	14.75	13.50	0.99	0.69	0.30	17.30	5.00	3-8 - NPT	23.17	18.91	7.00	12.02	10.50	
L444TP20/LP445TP20	20.00	29.00	51.00	49.78	14.75	13.50	0.99	0.69	0.30	17.30	5.00	3-8 - NPT	23.17	18.91	7.00	12.02	10.50	
L447TP20/LP449TP20	20.00	29.00	56.00	49.78	14.75	13.50	0.99	0.69	0.30	20.30	5.00	(2)4-8 - NPT	23.67	18.91	7.00	12.39	16.25	
L509TP24	24.50	33.80	66.32	59.90	14.75	13.50	1.40	0.69	0.30	23.50	6.00	4-8 - NPT	31.50	26.25	14.19	22.68	12.00	
LP511TP24	24.50	33.80	74.32	67.90	14.75	13.50	1.40	0.69	0.30	27.5	6.00	3-8 - NPT	28.82	21.43	10.44	21.74	20.00	

Access has never been easier!

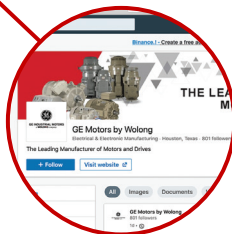
search
Google
Type keyword
"gemotorswolong"



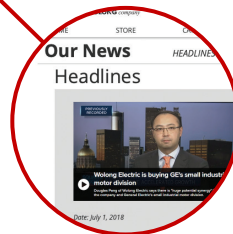
Motor Catalog
View updated information about standard motors on your mobile device. It can also be viewed offline and printed.



E-Commerce
Find a distributor. Download datapacks. Access support library.



Follow us on LinkedIn



News
The latest developments, new product introductions and special industry events.



GE INDUSTRIAL MOTORS
a **WOLONG** company



www.gemotorswolong.com

Ultra®Series, trademark of Wolong Electric America LLC.
NEMA Premium is a trademark of NEMA.
GE is a trademark of General Electric Company. Manufactured under trademark license.
©2020, Wolong Electric America LLC. All rights reserved.
GMS32027-EN (6/2020)