



GE INDUSTRIAL MOTORS
a WOLONG company

Ultra[®] Series

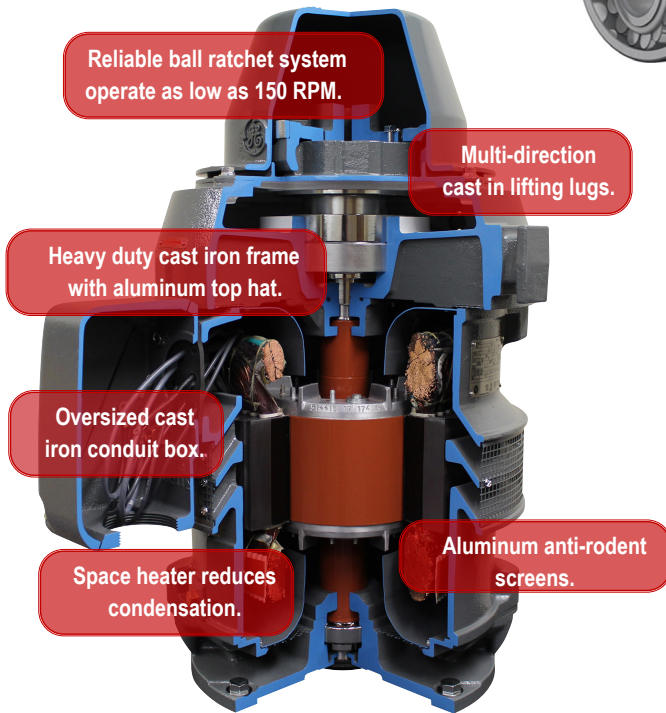
Vertical Pump Motors
NEMA Premium Efficient
3-1000 HP



+1 (888) 525-2915
www.gemotorswolong.com

Motor technology for tomorrows challenges.

The Most Robust WPI VHS Motor In The Industry



20% Average Higher Standard Thrust

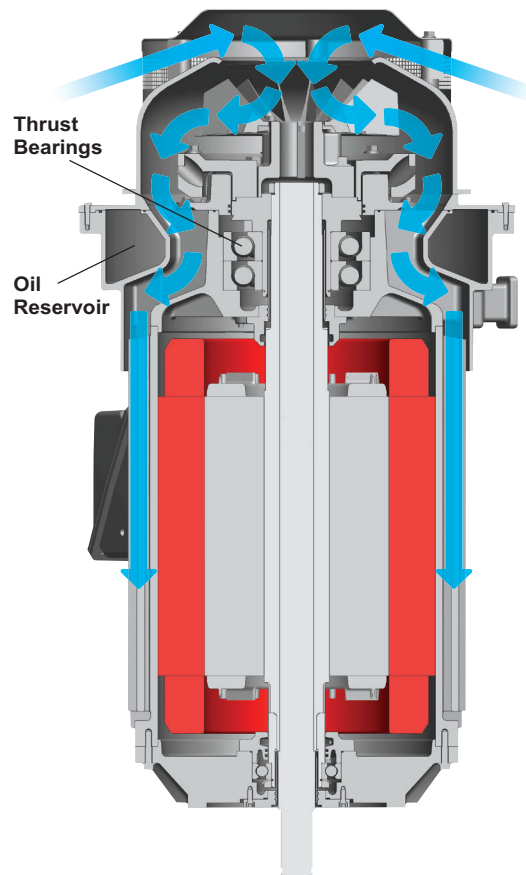
GEIM high thrust vertical pump motors have, on average, 20% higher thrust and extended performance than any other similar product in the industry

As a result, motors in all deep well applications can be air-cooled with any bearing configuration.



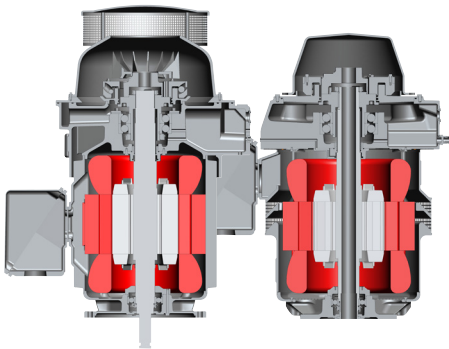
PATENTED GECHANNEL COOLING TECHNOLOGY

Cooling design improvements on larger TEFC frames result in an amazing - 30°C Temperature reduction dramatically extending bearing and winding life.



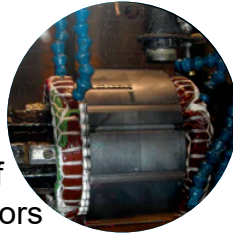
Custom Motors Built Fast

Ultra Series TEFC and WPI electrical systems, fans, couplings, end shields, bearings, bearing caps, and flanges are shared across designs resulting in some of the fastest custom cycle times in the industry.



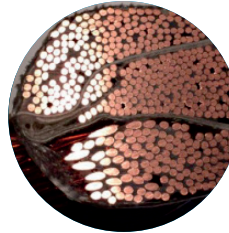
Engineered for reliability.

GEGARD™ Insulation offers added protection in severe applications. Our Class H GEGARD2400 insulation system exceeds NEMA MG1-31 (tested to with stand corona inception voltage of 2499 volts peak @ 0.1 seconds) for motors operating on inverters.



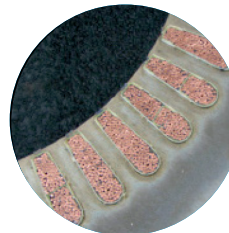
Rotational Varnish Application

Motor coils are rotationally varnished with a “Trickle Treat” process while an electric current is passed through the windings to ensure a penetrating, thorough and even coating. This proven process fills air gaps that could cause corona inception damage during operation.



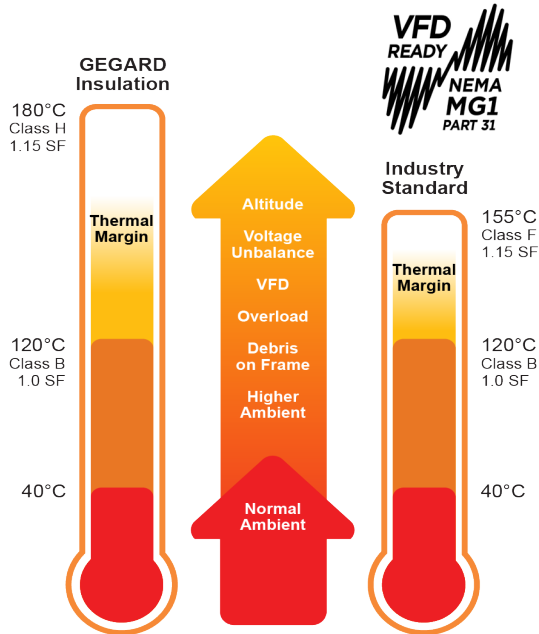
Strong Bond

Resin penetrates deep into tightly packed coil wire creating a strong bond that guards against end-turn vibration.



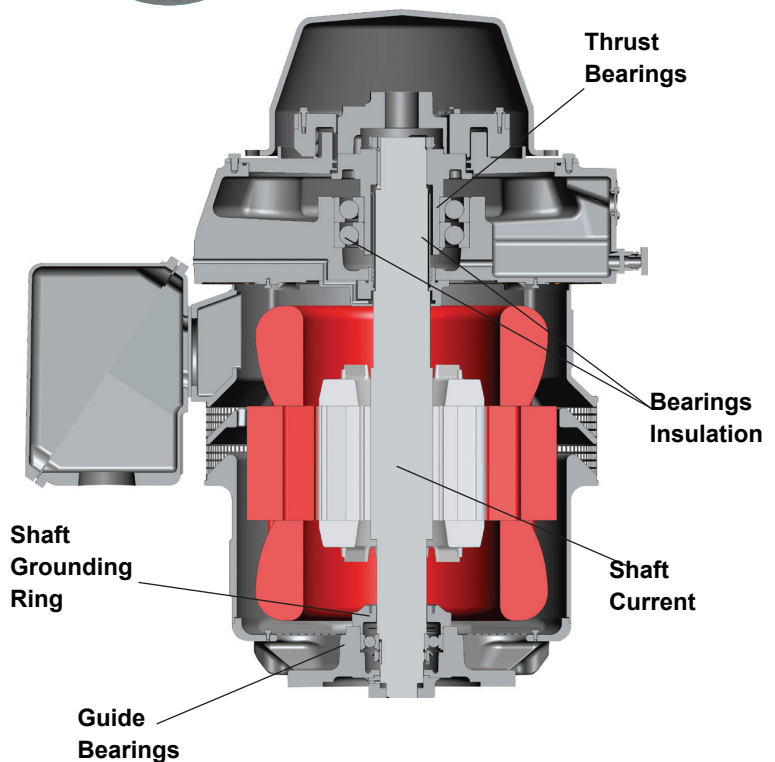
High Protection

Contaminants can't penetrate carefully and tightly packed stator coils bonded by deep resin penetration into the slots.



Protecting Bearings From Voltage Spikes.

The harmonics from VFDs induce a voltage on the shaft. This voltage will discharge through the bearings if the voltage is not grounded. Insulating one bearing prevents a ground loop from developing. To divert shaft currents from bearings and driven equipment, we include insulation for the thrust bearings in ratings 100HP+ and Aegis™ shaft grounding rings are optional on all ratings.



Complete Product Line



Product Name	WPI Ultra™ VHS	XSD Ultra™ VSS NT	XSD Ultra® VHS	XSD Ultra® 841 VSS
Enclosure/Shaft Type	WPI hollow shaft	TEFC solid shaft	TEFC hollow shaft	TEFC solid shaft
Speed	1200, 1800, 3600	1800/3600	1800, 3600	1800, 3600
Voltage (60Hz*)	230/460, 460 PWS, 575, 380-440	230/460, 460	230/460, 460 PWS	460
Base/Face	P-Base	P-Base	P-Base	P-Base and C-Face
Thrust	100, 175, 300% High	Normal	100, 175, 300% High	Inline and 100% High
HP Range (Standard)	5 - 600	3 - 150	5 - 300	3 - 300
HP Range (Custom)	5 - 1000	3 - 500	5 - 600	3 - 500
Efficiency	NEMA Premium	NEMA Premium	NEMA Premium	NEMA Premium
Warranty	3 Years	3 Years	3 Years	3 Years

Notes: *Also dual 50Hz nameplated.

Standard VHS Scope

	WPI Ultra	WPI Ultra+
HP	5-400	40-600
Speed	1200, 1800, 3600	1800
Thrust	100 or 175% HT	100, 175%, 300% HT
Voltage	230/460, 460 PWS	230/460, 460 PWS, 575
Space Heater	Yes	Yes
GEGARD 2400 Inverter Duty Insulation	Yes	Yes
Class H Insulation System	Yes	Yes
Winding Thermostats		Yes
Insulated Thrust Bearings		Yes
Shaft Grounding Ring on NDE		Yes
Aegis SGR Extended Warranty		Yes

Caring For Your Needs

We understand that the goals of your organization are demanding, and evolving. That is why we offer a comprehensive range of aftermarket services including replacement units, field service spares, service agreements, unit upgrades and technical support.



GE INDUSTRIAL MOTORS
a **WOLONG** company



www.gemotorswolong.com
XSD Ultra, GEGARD 2400, and the Six Star Bearing System are trademarks of Wolong Electric America LLC. NEMA Premium is a trademark of NEMA. GE is a trademark of General Electric Company. Manufactured under trademark license. ©2019, Wolong Electric America LLC. All rights reserved. GEA17458-EN (7/2019)